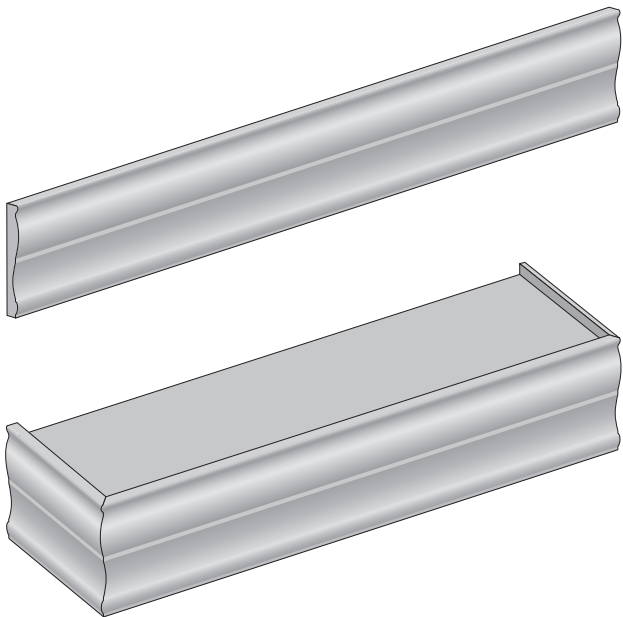


HunterDouglas

Installation and Care



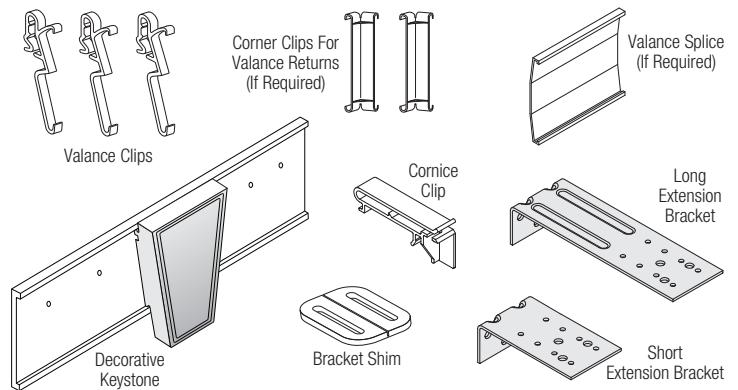
Horizontal Blind Valances and Valances with Dust Cover

Wood
Alternative Wood
Aluminum


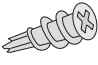

THANK YOU for your purchase of a new Hunter Douglas valance. After proper installation, the valance will be a beautiful addition to any window.

Getting Started

- Remove the valance from the package. Keep the packaging until the valance is installed satisfactorily.
- Review the installation procedures and the diagram below to make sure you have the necessary parts.
- Not all of the items illustrated will be included in your hardware package. The contents will vary depending upon the mounting option chosen.

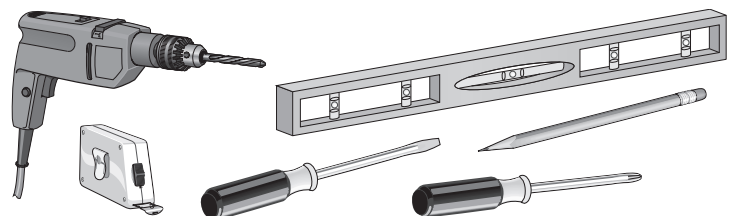


In addition to the provided hardware, you may need fasteners designed to work with your specific mounting surfaces:

Mounting Surface	Fastener
Wood	#6 Hex Head Screws (Provided) 
Drywall, Plaster	Wall Anchors, Expansion Bolts (Not Provided) 
Metal	Sheet Metal Screws (Not Provided) 

Tools Needed for Installation

- Measuring Tape
- Carpenter's Level
- Pencil
- Flat Blade and/or Phillips Screwdriver
- Power Drill and Bits



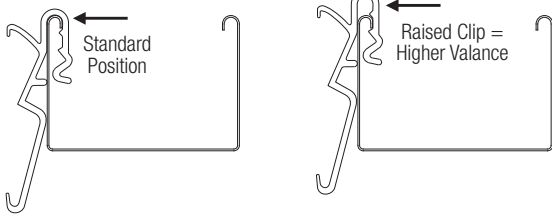
Four installation procedures (1-4) are explained in these instructions. Follow the specific procedure for the mounting option specified on the order.

1 Valance with No Dust Cover

Attach Valance Clips

Perform this step before installing the blind. If the blind is already installed, remove it from its brackets to attach the valance clips.

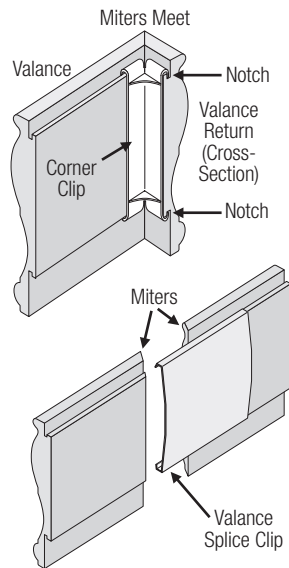
- Attach valance clips 2" from each end of the headrail.
- Space additional clip(s) evenly between the two end clips so that the valance clips are no more than 36" apart.
- Do not place the valance clips where they could interfere with any working parts.
- If desired, the valance may be positioned 1/4" higher by pushing the clips only one notch down, as shown.



Attach the Valance Returns, If Necessary

If the valance came with returns and they are not already attached, connect the returns to the valance using the corner clips provided.

- The notches on the rear of the valance and returns fit into the grooves of the corner clips.
- Slide one end of each clip onto the rear of the valance until the center of the clip aligns with the edge of the miter cut at each end.
- Slide a return onto each corner clip until its miter is flush against the miter on the valance.



Splice Valances

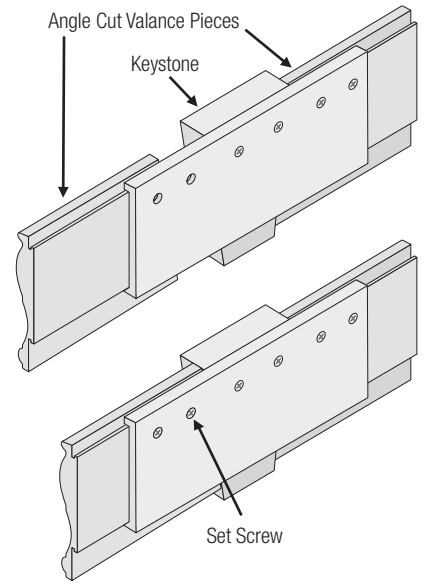
For valances that are spliced and did not come with a decorative keystone, adjoin the two mitered valance pieces together by sliding the valance splice clip onto the back of the valance where the two halves meet.

Decorative Keystone

Wood Valances Only

If a decorative keystone was ordered, splice it to the two angled valance pieces.

- Firmly press the two pieces together. Anchor them in position using the provided set screws. Secure the screws into the back of the valance through the holes in the keystone.
- Repeat the procedure for the other angle cut valance piece.

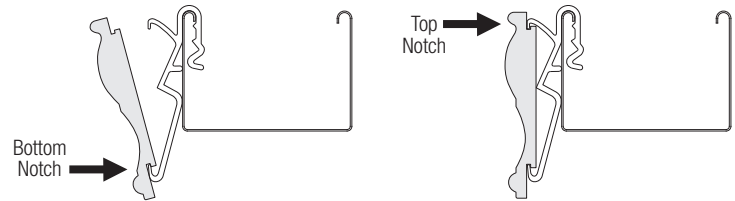


Attach the Valance

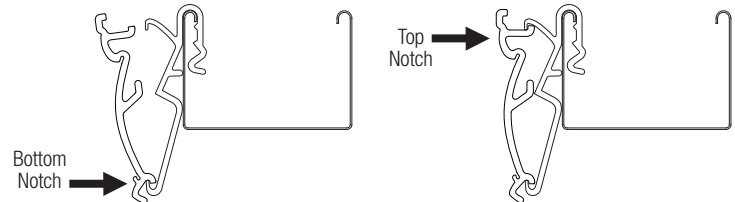
Perform this step after installing the blind.

- Tilt the valance to insert its bottom notch into the bottom part of the valance clip.
- Pulling the valance slightly downward, insert the top notch of the valance into the clip, as shown below.
- To remove the valance, gently pull the valance downward to release it from the top of the valance clips. Rotate the top of the valance toward you. Lift up the valance to release it from the bottom of the valance clips.

Wood Blinds and Alternative Wood Blinds



Aluminum Blinds

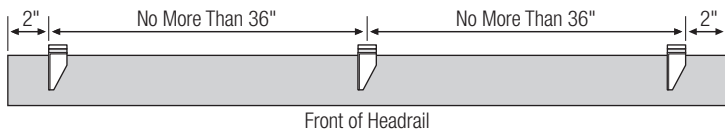


2 Outside Mount with Dust Cover – Wood Valances Only

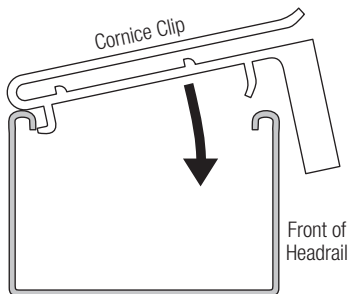
Attach Cornice Clips

Perform this step before installing the blind. If the blind is already installed, remove it from its brackets to attach the cornice clips.

- Attach a cornice clip 2" from each end of the headrail.
- Space additional cornice clip(s) evenly between the two end clips so that the cornice clips are no more than 36" apart.



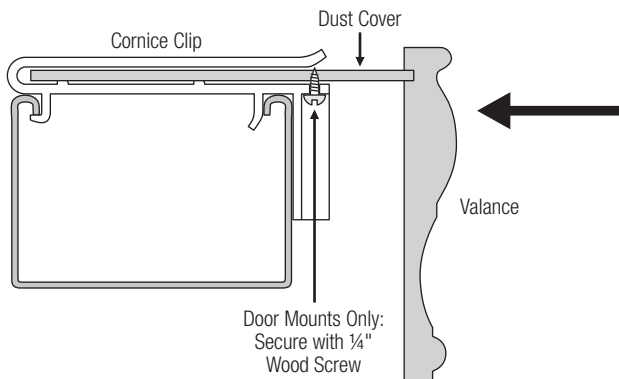
- To attach the cornice clips, hook the back of the clip to the rear lip of the headrail.
- Push each clip down until it snaps securely in place.



Mount the Valance with Dust Cover

Perform this step after installing the blind.

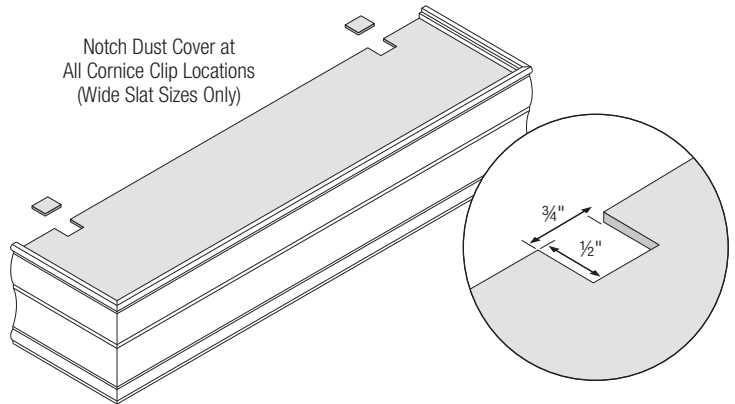
- Slide the valance dust cover onto the clips, as shown below.
- If the blind is mounted to a door, secure the dust cover with a 1/4" wood screw through the slot in the cornice clip.



Notch the Dust Cover — Wide Slat Sizes Only

When spacer blocks are used to provide clearance for 2½" and 2⅝" slats, the valance dust cover must be notched to allow the valance returns to be flush against the wall. Before mounting the headrail:

- Center the valance in front of the headrail. Mark the location of the cornice clips on the dust cover.
- Use a utility knife to notch the rear of the dust cover where the dust cover will fit onto the cornice clips.
- The notch should be ½" and ¾" wide, as shown in the illustration below.



3 Inside/Outside Mount with Dust Cover – Wood Valances Only

An inside/outside mount is the combination of an inside mounted blind with an outside mounted valance. Typically with an inside/outside mount, the blind is not fully recessed but rather protrudes from the window opening.

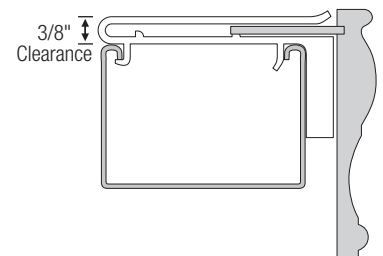
Attach Cornice Clips

Follow the attachment procedure described in the previous section, "Outside Mount with Dust Cover – Wood Valances Only."

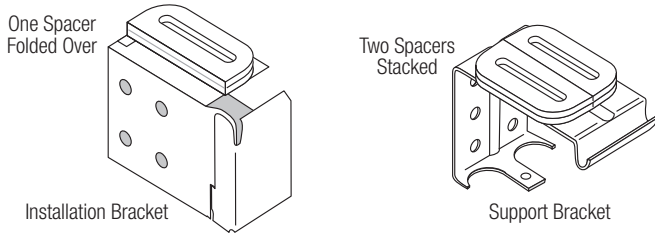
Clearance Requirements

To accommodate the height of the cornice clips, additional clearance must be gained between the top of the mounting brackets and the casement, as shown at right.

To gain this clearance, use the bracket shims included with your order (one for each installation bracket and two for each support bracket).



- With each installation bracket, first fold the shim and then position it on top of the bracket to gain the required clearance.
- With each support bracket, stack two unfolded shims.



Mount the Valance

Follow the valance mounting procedure described in the previous section, "Outside Mount with Dust Cover – Wood Valances Only."

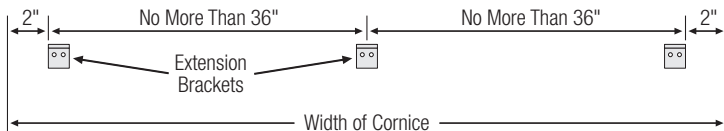
4 Outside Mount Stand-Alone Valance with Dust Cover – Wood Valances Only

These instructions are for outside mounting the valance over another Hunter Douglas product.

Mount Extension Brackets

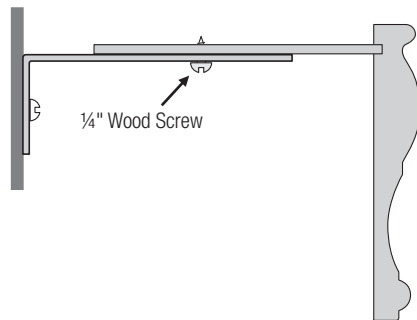
Depending upon the length of the returns, long or short extension brackets may be used.

- Using appropriate fasteners, mount an extension bracket 2" from where each end of the valance will be located.
- Space additional extension bracket(s) evenly between the two end brackets so that the extension brackets are no more than 36" apart.



Mount the Valance

- Use 1/4" wood screws to attach the valance dust cover to the extension brackets.



5 Care and Cleaning

- Dust with a soft clean cloth or chemically treated dust cloth.
- Vacuum using the brush dust head attachment.
- Wash using a damp cloth and non-abrasive mild detergent solution. Use warm or cold water, not hot water.

For assistance, call the Hunter Douglas Customer Information Center at 1-888-501-8364.



HunterDouglas

hunterdouglas.com

© 2008 Hunter Douglas Inc.
Patented in the U.S. and foreign countries. Other U.S. and foreign patents pending.



Product Code No. 8800016004